



PRODUCT CATALOG  
2025

---







# OUR GROWTH STORY

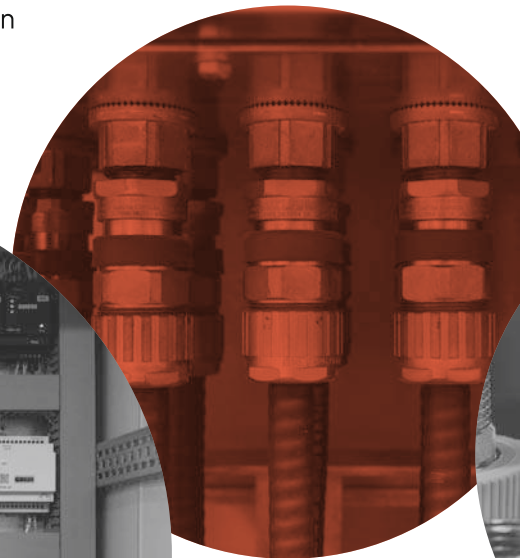
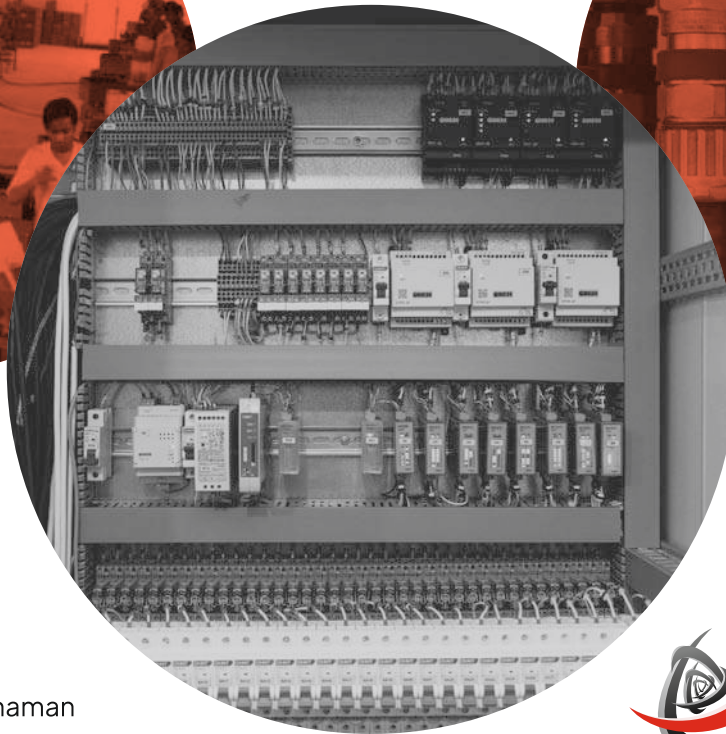
From a humble beginning in 1985 to becoming one of the largest Brass manufacturing powerhouse, glance at Aqura's growth story.

## 2000

Became one of the leading cable gland manufacturers in India. Established own brand in middle eastern market.

## 1995

Started Exports and manufacturing of Electrical and Earthing accessories. Established presence in middle east and European markets.



## 1985

Incorporated Vardhaman Metal Industries and started with Manufacturing of Cable Glands & Accessories under a single space of 150 Sq. Ft.



## 2005

Diversified into Brass/Copper alloy Plumbing Components under AXELON. Started manufacturing CPVC & UPVC Inserts for major customers in India.

# 2010

Started Exporting to more than 67 countries with offices in Mumbai, Bangalore & France.

# 2016

Started production of Pipe Clamps and accessories with capacity of manufacturing a million pieces a month.

# 2021

Became one of the largest CPVC Insert manufacturing companies in India supplying nearly 50 million pieces annually.



# 2018

Launched new products such as Ball valves, Angle Valves, Concealed Valves, Single Lever Diverters and many more.

# 2024

Established largest Integrated Brass Insert Manufacturing Complex as **AQURA INDUSTRIES**



VIRTUAL TOUR  
WATCH NOW

# INTRODUCTION

---

India's Largest Integrated  
Brass Components Manufacturer  
Discover the world of high capacity  
brass solutions for your products.

---

Your Trusted Source for Cutting-Edge Brass Products. Over 35 years, Aqura has been revolutionizing the plumbing industry. Hundreds of customers through out the world trust our precision-engineered brass solutions.

Pioneer of  
Plumbing Inserts in India

Aqura manufacture Brass plumbing inserts for CPVC & UPVC piping system. For more than 3 decades, Aqura has been at the fore front of developing and improving Brass plumbing solutions.

---

## 35+

Years of industries  
acumen

---

## 50M+

Products delivered  
to our valued customers

---

## 300+

Employees empowering  
our growth

---

## 5000+

Metric Tons of Brass  
processing per annum

---

## 4000+

Stock keeping units  
maintained at warehouse

# WHY US



## Setting The Standard For Quality And Customer Satisfaction

### Quality at Core

Quality is at the heart of Aqura. Every step in our production process has two goals: to outclass any quality competition and do so while leading environmental and sustainability practices.

### System Driven Operations

Aqura's growth story could not be successful without Systems it employs. System driven operations leads to deliver most efficient and reliable products to your doorstep.

### Manufacturing Powerhouse

Our manufacturing capacity and capabilities are pioneering reasons for why our customers choose us for their Brass solutions. We can process more than 5000 tons of brass annually resulting in products required by you for your special applications.

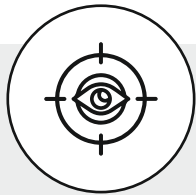
### Remarkable R&D Capabilities

Our In house Research and development team has capabilities to reengineer and develop precise products for your extreme and vivid applications.

### Customization Beyond Limits

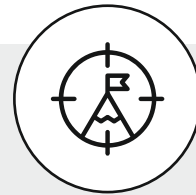
We offer custom solutions and products based on design created by customers. Multiple options with regards to private labelling and OEMs are available at our customer's disposal.

# ELEVATE YOUR BRASS INNOVATIONS



## Vision

Aqura aims to become the leader in providing brass plumbing & allied solutions globally by delivering precise products through continuous improvement driven by, integrity, innovation and the team of professional people



## Mission

We Strive To produce and continually develop quality products at a competitive price while fostering a climate where environmental technologies can thrive. Creating value for our customers, employees, suppliers and community is our motto.

# CHOOSE FROM VARIOUS GRADE CLASSIFICATIONS

- 1** **IS 319 Grade I / C38500 / CW614N**  
Explore the high-speed accuracy of free machining brass. IS 319 Grade I is the most commonly used Brass grades in India.
- 2** **IS 319 Grade II / C36000 / CW603N**  
Recognize the strength of Brass in Forging Grade. This grade is specifically used in areas which require extreme strength and pressure in their brass components.
- 3** **6912 FLB / C38000 / CW617N**  
Understand why people choose this grade as one of the most preferred grades of leaded applications. It is mainly used in HVAC, Electrical and Electronics applications.
- 4** **C69300**  
This grade of brass is commonly referred as Eco Brass. It is one of the most suitable lead free plumbing application grades available in the market.
- 5** **C28000 / CW509L**  
This special grade of brass not only possesses lead free composition but is highly machinable. It's machining capability makes it one of the preferred choices in cost effective lead free solutions.



# OUR MANUFACTURING POWERHOUSE

---

## 1 CONTINUOUS CASTING

Featuring a cutting-edge continuous casting line with an impressive 16 outputs, our facility produces over 24 tons of castings per day. Capable of crafting rods, tubes, and sections in a variety of shapes and sizes

## 2 FORGING

Following production at the continuous casting plant, the brass rods proceed to our forging facility. Here, four powerful 120-ton presses meticulously shape the brass rods to meet precise specifications.

### 3 CNC MACHINES

In our dedicated 35,000 sq ft CNC machine shop, precision reigns supreme. With over 70 CNC machines complemented by 45 bar feeders, our round-the-clock production facility churns out an impressive 5 million pieces each month.

### 4 PRESS SHOP

Our manufacturing unit boasts a formidable lineup of 12 hydraulic presses dedicated to clamp production. Additionally, our integrated facility includes cutting-edge slitting, cutting, and bending lines. With this powerhouse combination, we have the capacity to produce over 10,000 unique clamps per day.

### 5 QC INSPECTION

Our fifth setup is dedicated to quality control and inspection, encompassing a cutting-edge quality control laboratory, state-of-the-art QC inspection machines, and comprehensive packaging and storage facilities.

# OUR QUALITY CONTROL

---

## Quality Control

Aqura's stringent Quality control systems and criterias has been the reason for why customers prefer us. Trust on Aqura's Quality team and methods for your brass needs.

## Precision Engineering

Machined components and fittings needs precise dimensions for their applications. Aqura's quality control helps us deliver to you precise components as required by you.

## Reliable Performance

Aqura delivers products that can withstand extreme conditions required by your applications. Rely on Aqura's product strength and harsh testing methods for your products.

## Customization

We can customize your products as and how you like it. All our products are customized based on client's requirement and criterias.

High-speed QC Machine , testing up to  
250+ pieces per minutes

Aqura's Resolute focus on Quality, Deliverability & Serviceability are pioneering reasons for why customers choose us.

### **Precision Craftsmanship**

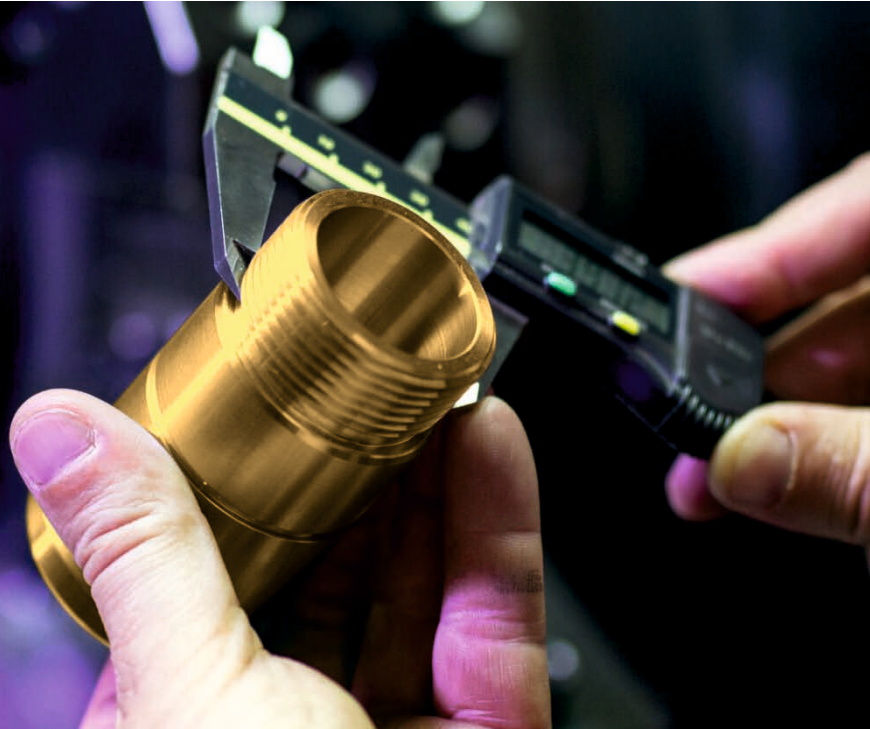
Experience unmatched precision with our brass products, meticulously crafted to ensure leak-proof connections and unparalleled performance.

### **Advanced Technology**

Trust on Aqura's advanced machining technology delivering most reliable products.

### **Unmatched Quality**

With most advanced Quality Control System, Aqura is able to deliver near Zero-defect products



### **Crafting Quality Brass Products**

At Aqura, our commitment to excellence begins with a meticulous manufacturing process that transforms raw materials into premium brass plumbing products.

### **Material Selection**

Material is selected based on customers requirement. Incoming material is rigorously inspected before issuing to plant.

### **Casting & Extruding**

Various tests are performed while the rods are casted or extruded including Spectro Analysis, Elongation, Tensile Strength & many more.

### **Machining and Shaping**

All products passing through forging or machining operations go through strict in process, first piece and incoming inspection test which run continuously through out the shop floor.

### **Finishing and Polishing**

Brass with various finishes are selected after which visual inspection processes are carried out where in each product is checked through visual camera based machines and wherever necessary human eye.

# PARTNER WITH US

At Aqura, we believe that true success is built on strong partnerships. When you choose to partner with us, you're entering a collaborative journey aimed at elevating brass solutions to new heights.

## Manufacturers

Experience unmatched precision with our brass products, meticulously crafted to ensure leak-proof connections and unparalleled performance.

## Distributors

Count on Aqura for top-tier brass solutions that go above and beyond industry standards, delivering unwavering reliability for your Brass needs.

## OEMs

Join a network of satisfied clients worldwide who trust Aqura for their Brass solutions, backed by years of excellence and innovation.



**Thread Types** : Versatility with NPT, BSP, BSPT options, and custom threads.

**Finish** : Nickel plated, Chrome Plated, Normal Brass Finish, Casted Finish, Rough Finish, Sand Blasted finish.

**Temperature Range** : Reliable performance from -20°C to 120°C (-4°F to 248°F).

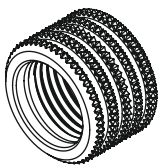
**Pressure Testing** : Fittings that can withstand upto 25 bar pressure ratings

# OUR PRODUCTS

---

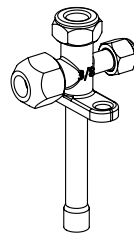
Dive into Aqura's wide range of products applicable to you and your Industry

## Brass Inserts



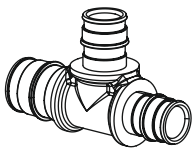
Explore Aqura's pioneering CPVC, UPVC & PPR Pipe inserts. Aqura's Brass Inserts provide leak proof solutions to your pipelines.

## Service Valves



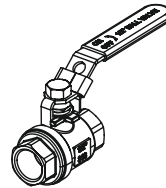
Aqura's Service Valves for your refrigerant are the most trustworthy products. Available in 5 different sizes and in 2 different models, these products ensure leak proof flow of gas into your refrigerant.

## PEX Fittings



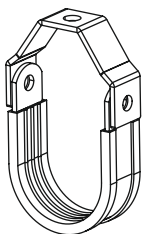
Aqura manufactures widest range of PEX fittings including compression, crimp, Push and many more. The fittings are strong, durable and robust for your piping, gas & heating needs.

## Ball Valves



Trust on Aqura's Ball Valve for your Water, Gas & Oil lines. Our Ball valves are forged and really sturdy which can withstand pressure of upto 25 Bar.

## Metal Clamps



Whether you are looking to hang your pipelines 100 Ft above the ground or side ways on the walls using cable tray, rely on Aqura's metal clamps to ensure strong and stable support for your lines.



## FEMALE BRASS

### THREADED ADAPTER

A brass female adapter is a type of fitting used in plumbing and piping systems. It has internal threads (female threads) on one end, which allows it to connect to a male-threaded pipe or fitting, and the other end can be either smooth or also threaded, depending on the application.



---

Female Brass  
Threaded Adapter  
1/2"



---

Female Brass  
Threaded Adapter  
3/4"



---

Female Brass  
Threaded Adapter  
1"



---

Female Brass  
Threaded Adapter  
1 1/4"



---

Female Brass  
Threaded Adapter  
1 1/2"



---

Female Brass  
Threaded Adapter  
2"



---

Female Brass  
Threaded Adapter  
2 1/2"



---

Female Brass  
Threaded Adapter  
3"



---

Female Brass  
Threaded Adapter  
CPVC  
1/2"



---

Female Brass  
Threaded Adapter  
CPVC  
3/4"



---

Female Brass  
Threaded Adapter  
CPVC  
1"



---

Female Brass  
Threaded Adapter  
CPVC  
1 1/4"



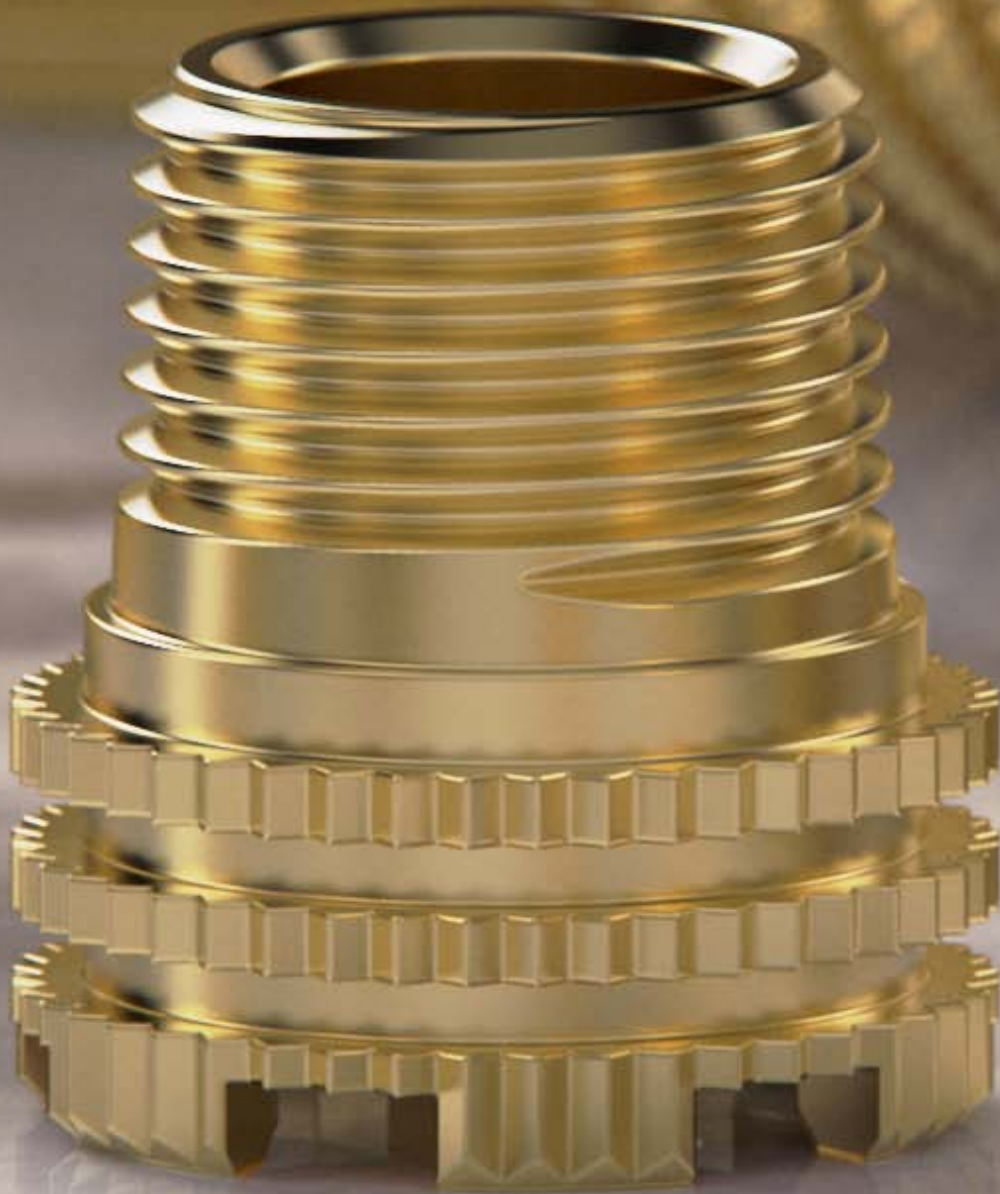
---

Female Brass  
Threaded Adapter  
CPVC  
1 1/2"



---

Female Brass  
Threaded Adapter  
CPVC  
2"



## MALE BRASS

### THREADED ADAPTER

A male brass adapter for CPVC pipe is a fitting designed to connect a CPVC (Chlorinated Polyvinyl Chloride) pipe to another pipe or fitting with female threads. The adapter has external (male) threads on one end that screw into a female-threaded fitting or pipe, while the other end is either smooth or threaded to connect with a CPVC pipe.



---

Male Brass  
Threaded Adapter  
3/4"



---

Male Brass  
Threaded Adapter  
1"



---

Male Brass  
Threaded Adapter  
1 1/2"



---

Male Brass  
Threaded Adapter  
1/2"



---

Male Brass  
Threaded Adapter  
3/4"



---

Male Brass  
Threaded Adapter  
1"



---

Male Brass  
Threaded Adapter  
1 1/4"



---

Male Brass  
Threaded Adapter  
1 1/2"



---

Male Brass  
Threaded Adapter  
2"



## MALE BRASS

### THREADED ADAPTER

A brass male adapter for pipe applications is a fitting that allows you to connect two pipes or components with different threading or sizes. It features external threads (male threads) on one end, which can screw into a corresponding female-threaded pipe or fitting, and a smooth or threaded internal connection on the other end to connect with another pipe or fitting.



---

Male Brass  
Threaded Adapter  
CPVC  
1/2"



---

Male Brass  
Threaded Adapter  
CPVC  
3/4"



---

Male Brass  
Threaded Adapter  
CPVC  
1"



---

Male Brass  
Threaded Adapter  
CPVC  
1 1/4"



---

Male Brass  
Threaded Adapter  
CPVC  
1 1/2"



---

Male Brass  
Threaded Adapter  
CPVC  
2"



---

Male Brass  
Threaded Adapter  
CPVC  
2 1/2"



---

Male Brass  
Threaded Adapter  
CPVC  
3"



# PEX

## FITTINGS

A PEX fitting is a type of plumbing connector designed specifically for use with PEX (cross-linked polyethylene) piping. PEX is a flexible, durable plastic commonly used in residential and commercial plumbing systems due to its ease of installation, resistance to scale and chlorine, and ability to withstand freezing temperatures. PEX fittings are used to join PEX pipes together or to connect PEX pipes to other types of pipes or fixtures, such as metal, CPVC, or PVC.



Brass Forged Elbow



Brass Forged Tee



Brass Reducer Tee



Brass Reducer Union



Brass Threaded Elbow (Female)



Brass Threaded Elbow (Male)



Brass Threaded Tee (Female)



Brass Union



Female Extractable Elbow



Stop Plug Male



Threaded Union Reducer Female



Threaded Union Reducer Male



Wall Flange Elbow (female)



Coupler



Equal Elbow



Equal Tee



Male Thread Adaptor



Female Thread Adaptor



Female Thread Elbow



Female Thread Tee



Reducer



Reducing Tee



Reducing Elbow



Male Threaded Elbow



Brass Sealing Ring



Hex Nut



Elbow



NPT Drop Ear Elbow



Female Adaptor



Female Elbow



Male Adaptor



Male Elbow



Solder Elbow



Tee



Reducer Pex  
Barb



Equal Pex  
Barb



Equal Expansion  
Coupling



Reducer Expansion  
Coupling



# PRESS

## FITTING ASSEMBLY

A crimp fitting is a type of fitting used in plumbing systems, particularly with PEX (cross-linked polyethylene) pipes, to create a secure, leak-proof connection between the pipe and the fitting. The crimp fitting system involves the use of a crimp ring and a crimping tool to attach PEX pipes to a variety of fittings, such as elbows, tees, or couplings.



Equal Coupler



Equal Elbow



Equal Tee



Full Threaded Rod



Loose Fitting



Reducer



Reducing Tee



Wall Mounting Elbow



Reducing Elbow



# COMPRESSION

## FITTING ASSEMBLY

A compression fitting assembly is a type of connector used to join two pipes or tubes together, particularly in plumbing, HVAC, and other piping systems. This assembly works by compressing a ferrule (a metal ring) around the pipe as the fitting nut is tightened, creating a secure, leak-proof seal without the need for soldering or welding.



Coupler



Equal Elbow



Equal Tee



Female Thread  
Adaptor



Female Thread Elbow



Female Thread Tee



Reducer



Reducer Tee



Reducer Elbow



Male Threaded Elbow



## CLAMPS

Clamps for PVC and CPVC pipes are essential components used to secure and support piping in various plumbing and piping systems. These clamps ensure that the pipes stay in place and are properly aligned, preventing movement that could lead to damage or leaks. They are designed for use with both PVC (Polyvinyl Chloride) and CPVC (Chlorinated Polyvinyl Chloride) pipes, which are commonly used in plumbing, irrigation, and industrial systems due to their strength, corrosion resistance, and cost-effectiveness.



Split Clamp  
With Rubber  
1/2", 3/4", 1", 1 1/4", 1 1/2",  
2", 2 1/2", 3", 4", 6", 8"



Split Clamp  
Without Rubber  
1/2", 3/4", 1", 1 1/4", 1 1/2",  
2", 2 1/2", 3", 4", 6", 8"



Sprinkler Hanger  
With Rubber  
1/2", 3/4", 1", 1 1/4", 1 1/2",  
2", 2 1/2", 3", 4", 6"



Sprinkler Hanger  
Without Rubber  
1/2", 3/4", 1", 1 1/4", 1 1/2",  
2", 2 1/2", 3", 4", 6"



Clevis Hanger  
With Rubber  
3/4", 1", 1 1/4", 1 1/2",  
2", 2 1/2", 3", 4", 6"



Clevis Hanger  
Without Rubber  
3/4", 1", 1 1/4", 1 1/2",  
2", 2 1/2", 3", 4", 6"



Slotted Channel  
Base Clamp  
1", 2", 3"



Slotted Channel  
4 ft., 8 ft.



Heavy Saddle Clamp  
With Rubber  
1/2", 3/4", 1", 1 1/4",  
1 1/2", 2"



Light Saddle Clamp  
CPVC  
1/2", 3/4", 1", 1 1/4",  
1 1/2", 2"



Heavy Saddle Clamp  
Without Rubber  
1/2", 3/4", 1", 1 1/4",  
1 1/2", 2"



U-Bolt  
With Rubber  
1/2", 3/4", 1", 1 1/4", 1 1/2",  
2", 2 1/2", 3", 4", 6", 8",  
10", 12"



U-Bolt  
Without Rubber  
1/2", 3/4", 1", 1 1/4", 1 1/2",  
2", 2 1/2", 3", 4", 6", 8",  
10", 12"



Slotted Strip  
200mm, 300mm,  
400mm, 500mm



Slotted Base Clamp  
200mm, 300mm,  
400mm, 500mm



Full Threaded Rod  
M6, M8, M10, M12, M16  
1 MTR. & 2 MTR.



Jointer Nut  
M6 x 25, M8 x 30,  
M10 x 40, M12 x 50,  
M16 x 50



Rounded Head  
With Washer Type Bolt



Base U-Clamp  
CPVC & UPVC  
1/2", 3/4", 1", 1 1/4",  
1 1/2", 2"



Fan Box Hanger



LN Access  
Door Pipe Clamp  
110mm, 125mm,  
160mm, 200mm



Metal Box Module  
& Junction Borad  
01 to 11



Base Clamp  
3" x 300, 3" x 400,  
3" x 500, 3" x 600



Sound Damping Clamp  
With Rubber  
3", 4", 6"



Sound Damping Clamp  
Without Rubber  
3", 4", 6"



Top Rafter Clamp  
140mm, 180mm,  
250mm



Side Rafter Clamp  
140mm, 180mm,  
250mm



Adjustable Rafter Clamp  
140mm, 180mm,  
250mm



U - Rafter Clamp  
140mm, 180mm,  
250mm



LN MFT  
Hanging Clamp  
110mm



End Cap Clamp  
75mm, 110mm, 125mm,  
16mm, 200mm



Coupler Clamp  
75mm, 110mm, 125mm,  
16mm, 200mm

# BRASS BALL VALVE



## PRODUCT SPECIFICATIONS

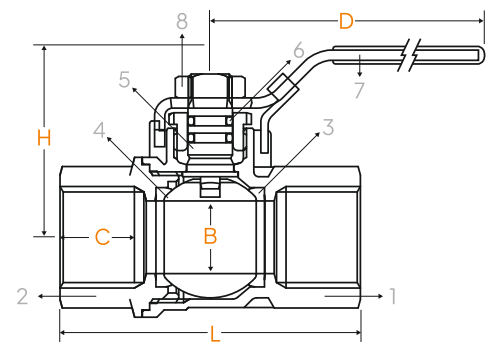
DESCRIPTION	SPECIFICATIONS
Sizes	DN15, DN50
Pressure Nominal	PN25
Working Temperature	0C ~ 95C
Leakage Rate	No Visible Leakage
Medium Type	Water
Shell Test pressure (Hydrostatic)	3.75 MPa (37.5Bar)
Seal Test (Air)	0.6 MPa (6 Bar)

## SALIENT FEATURES

- Full Bore, Two-Piece Design
- Quarter Turn, Lever Operated
- Chrome Plated Ball
- Screwed Female Ends to BSP
- 100% Leak tested

## MATERIAL GRADE & SPECIFICATIONS

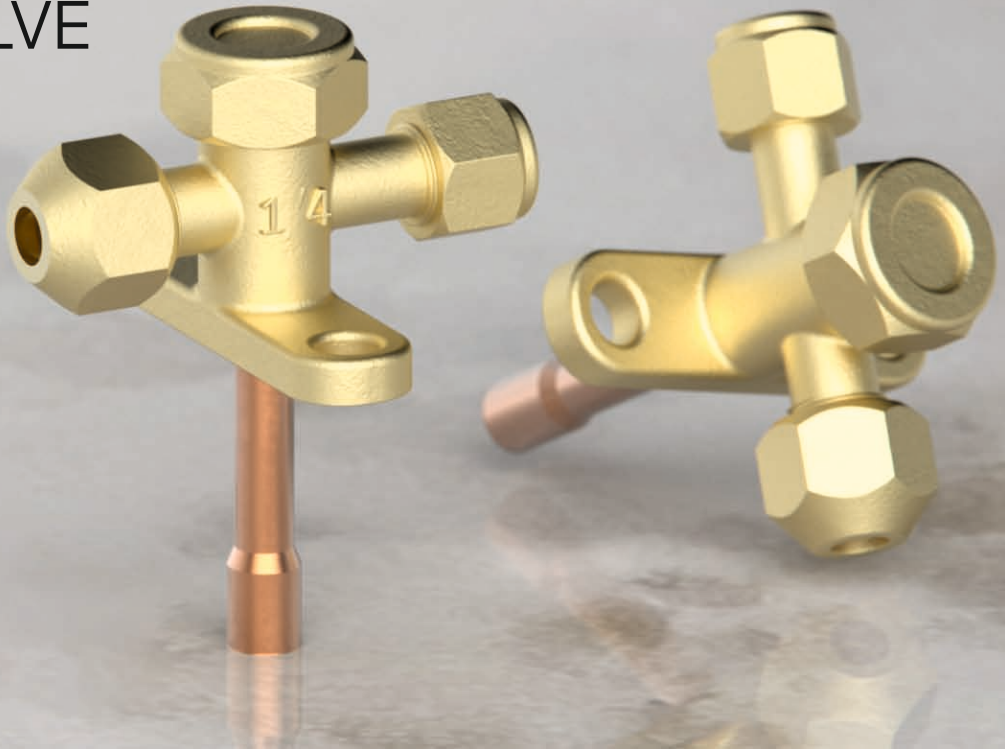
PART No.	PART NAME	MATERIAL	SPECIFICATIONS	QTY
1	BODY	BRASS	CW617N	1
2	BONNET	BRASS	CW617N	1
3	SEAT RINGS	PTFE	-	2
4	BALL	BRASS	HPb57-3	1
5	SPINDLE	BRASS	CW617N	1
6	ORING	EPDM	-	2
7	HANDLE	CARBON STEEL	ZINC PLATED CS	1
8	NUT	STAINLESS STEEL	SS 304	1



## PRODUCT DIMENSIONS (MM)

SIZE	IN	L	C	B	H	D
DN15	1/2"	49.5	11.5	14.0	44.2	88.0
DN20	3/4"	57.5	13.5	19.0	47.7	88.0
DN25	1"	67.5	15.5	24.0	53.4	103.0
DN32	1 1/4"	78.0	16.0	31.0	60.4	116.0
DN40	1 1/2"	85.5	16.5	38.0	70.3	135.0
DN50	2"	102.0	18.0	47.0	79.9	156.0

# BRASS SERVICE VALVE



Brass service valves are used in split air conditioners to connect indoor unit and outdoor unit. It can also be used in other cooling or refrigeration systems. The inner path of the valve can be closed by operating the valve stem. The 3way version (with charge port) can be used as service valve for vacuum pumping and refrigerant injection.

## PRODUCT SPECIFICATIONS

DESCRIPTION	SPECIFICATIONS
Refrigerant Types	R134a, R407C, R410A, R32, R404A and R290
Ambient temperature min./max	-30°C / +55°C
Medium temperature TS min./max	-30 °C / +120°C
Max Operating Pressure	49 Bar

## SIZE CHART

MODEL NO.	FLARE (INCH)	CHARGE PORT (INCH)	CONNECTION SIZE (INCH)
AQSV71614	7/16-20 UNF	-	1/4
AQSV5838	5/8-18 UNF	5/16	3/8
AQSV3412	3/4-16 UNF	5/16	1/2
AQSV7858	7/8-14 UNF	5/16	5/8
AQSV11634	11/6-14 UNS	5/16	3/4
AQSV5838	5/8-18 UNF	1/4	3/8
AQSV3412	3/4-16 UNF	1/4	1/2
AQSV7858	7/8-14 UNF	1/4	5/8
AQSV11634	11/6-14 UNS	1/4	3/4

# SAFETY VALVE FOR WATER HEATER



The safety valve protects the boiler / water heater from internal overpressure. Furthermore, they restrict or prevent (according to requirements) water returning to main supply piping. The typology of the valve is defined by a combination of three building blocks:

1. Check and balance pressure device
2. Safety device (with discharge lever)
3. Pressure relief outlet for hose connection.

## MATERIAL GRADE

DESCRIPTION	SPECIFICATIONS
Body	Brass CW617N
Disk	Nylon with 30% Fiberglass
Spring for Check	SS 302
Central Pin	Nylon with 30% Fiberglass
Seal	EPDM
Spring	SS 302
Threaded Cap	Nylon with 30% Fiberglass
Washer	SS 302
Lever	Nylon with 30% Fiberglass

## TECHNICAL FEATURES

DESCRIPTION	SPECIFICATIONS
Maximum temperature	120°C
Nominal Pressure	10 Bar
Thread	Male/Female ISO 228

# OUR COMMITMENT TO DELIVERIES ON TIME EVERYTIME

---



Trusted by  
More than  
**250+**  
Customers



# ENSURING ENVIRONMENTAL SUSTAINABILITY

Pollution control norms are essential regulations and guidelines designed to minimize environmental pollution and promote sustainable development. These norms are implemented to control pollution from various sources, including industrial activities, vehicular emissions, waste disposal, and more. By adhering to these standards, we can protect our natural resources, ensure public health, and maintain ecological balance.

## AIR QUALITY STANDARDS

The National Ambient Air Quality Standards (NAAQS) are set to regulate the permissible levels of pollutants in the air. Industries and vehicles are major sources of air pollution, releasing harmful gases such as sulfur dioxide (SO<sub>2</sub>), nitrogen oxides (NO<sub>x</sub>), and particulate matter (PM). Compliance with NAAQS involves using cleaner fuels, adopting emission control technologies, and regular monitoring of air quality.

## WATER QUALITY REGULATIONS

The Water (Prevention and Control of Pollution) Act focuses on maintaining and restoring the wholesomeness of water bodies. Industries must treat their effluents before discharge to prevent contamination of rivers, lakes, and groundwater. Treatment plants, effluent treatment guidelines, and continuous monitoring are crucial components of this regulation.

## WASTE MANAGEMENT

Effective waste management is governed by rules such as the Solid Waste Management Rules and Hazardous Waste Management Rules. Proper segregation, recycling, and disposal of waste materials help minimize environmental impact. Industries and urban bodies must ensure that waste is processed in an environmentally friendly manner, reducing the burden on landfills and preventing soil and water pollution.

## **NOISE POLLUTION CONTROL**

The Noise Pollution (Regulation and Control) Rules aim to reduce noise pollution, especially in residential and sensitive areas like hospitals and schools. Adherence involves maintaining permissible noise levels through measures such as using noise barriers, implementing silent zones, and monitoring decibel levels to prevent adverse health effects like stress and hearing loss.

## **E-WASTE MANAGEMENT**

The E-Waste (Management) Rules mandate the safe disposal and recycling of electronic waste. With the growing use of electronic devices, managing e-waste is critical to prevent the release of toxic substances like lead and mercury into the environment. Consumers and manufacturers must ensure that e-waste is handled through authorized recycling facilities.

## **PLASTIC WASTE MANAGEMENT**

Plastic waste poses a significant threat to the environment due to its non-biodegradable nature. The Plastic Waste Management Rules emphasize reducing plastic use, promoting recycling, and proper disposal. Efforts include banning single-use plastics, encouraging alternatives, and creating awareness about the environmental impact of plastic pollution.



## AQURA INDUSTRIES

Formerly known as AXELON METALS

Plot No. 1 to 9/2, Survey No. 153,  
Old R.S. No. 89, Kansumra,  
Jamnagar - 361004,  
Gujarat, India.

[info@aquraind.com](mailto:info@aquraind.com)  
GST: 24AAWFA7653D1Z9

M +91 79844 41058  
M +91 81400 59000

[www.aquraind.com](http://www.aquraind.com)

India's Largest Integrated  
Brass Components Manufacturer

